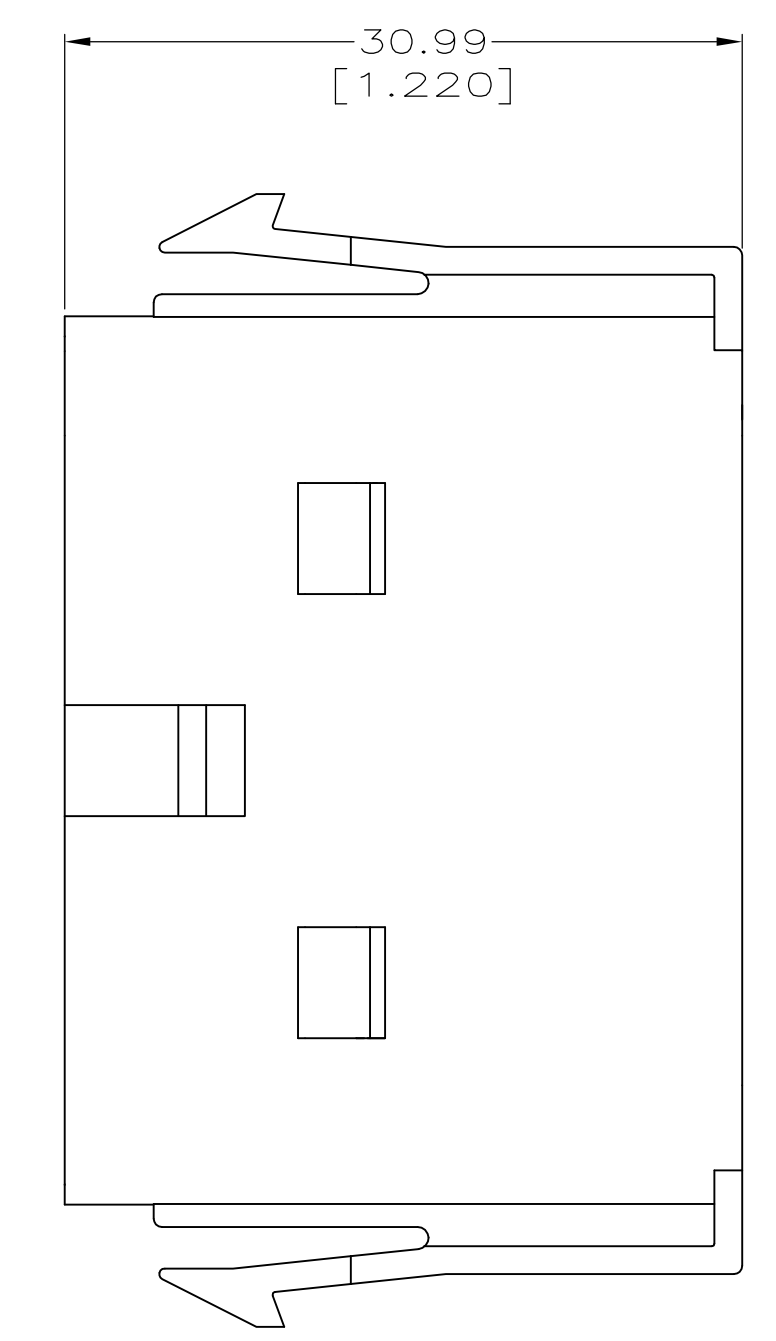
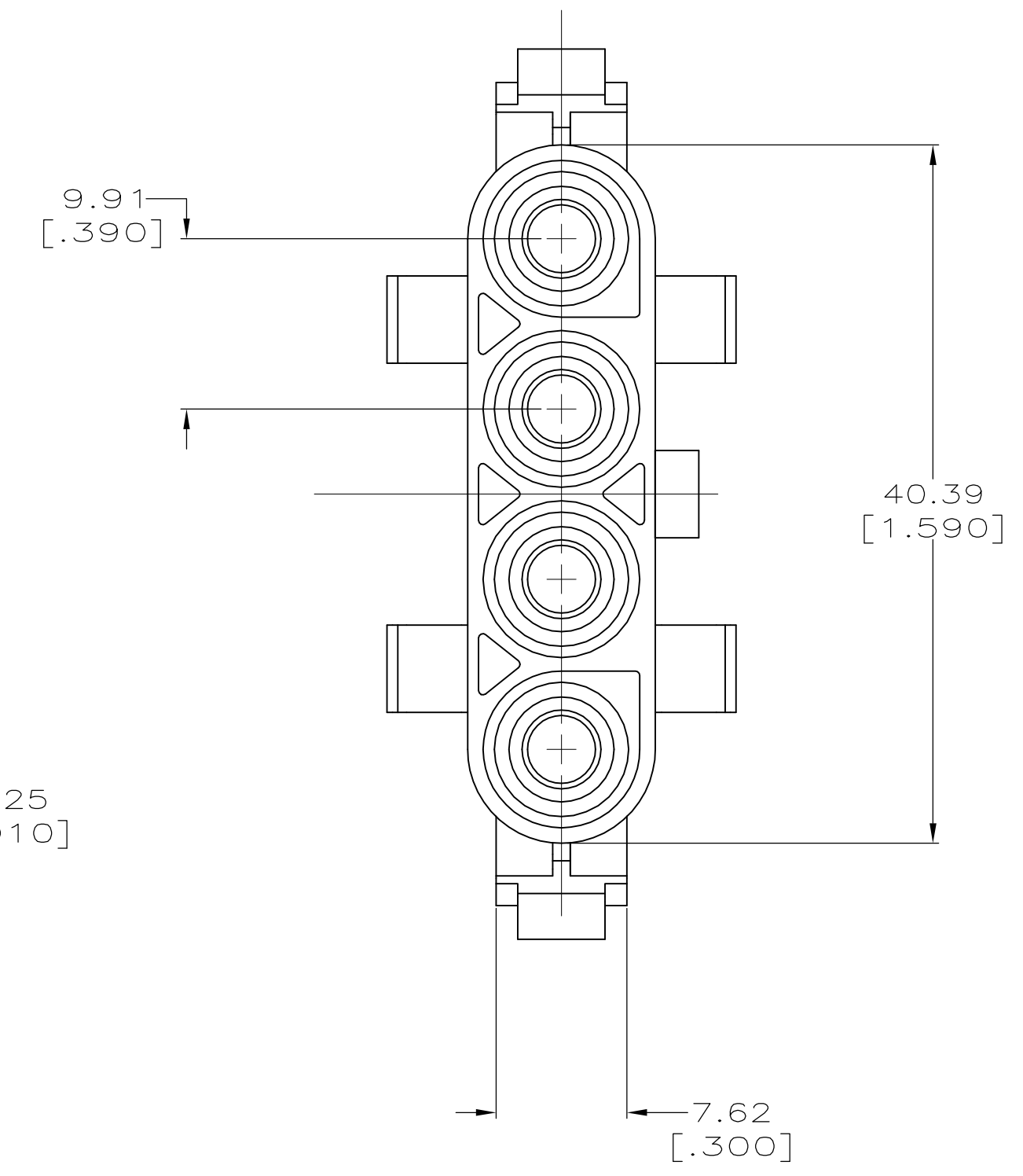
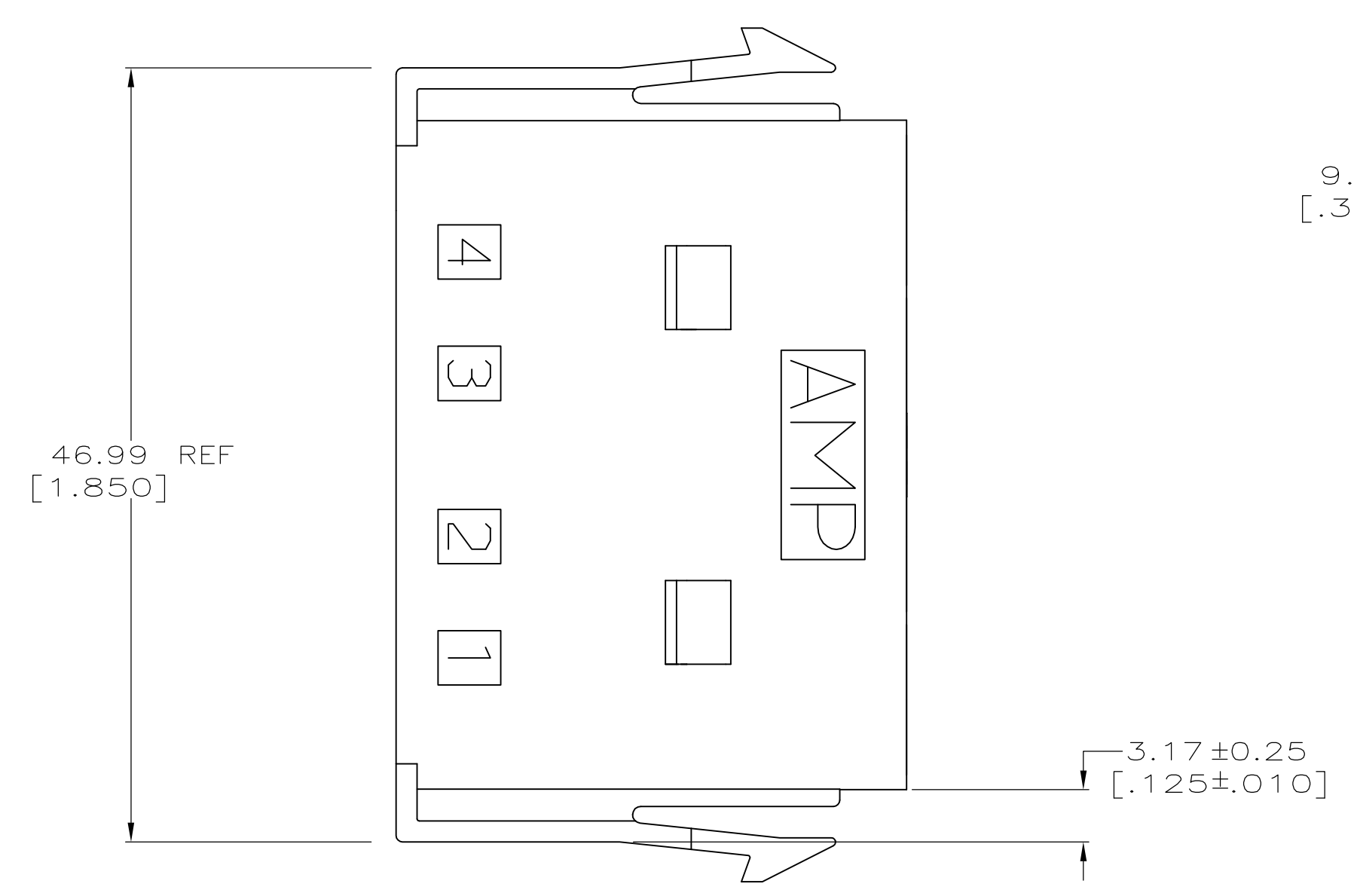
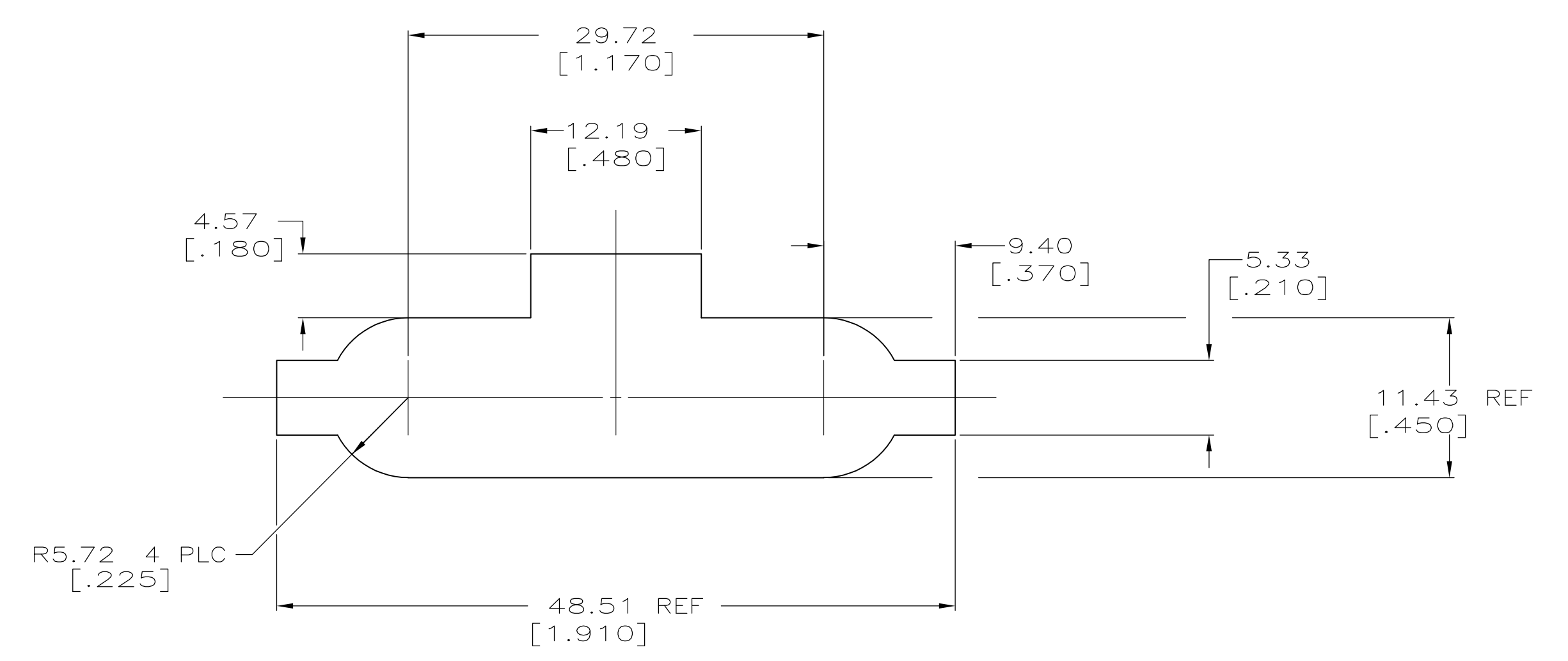
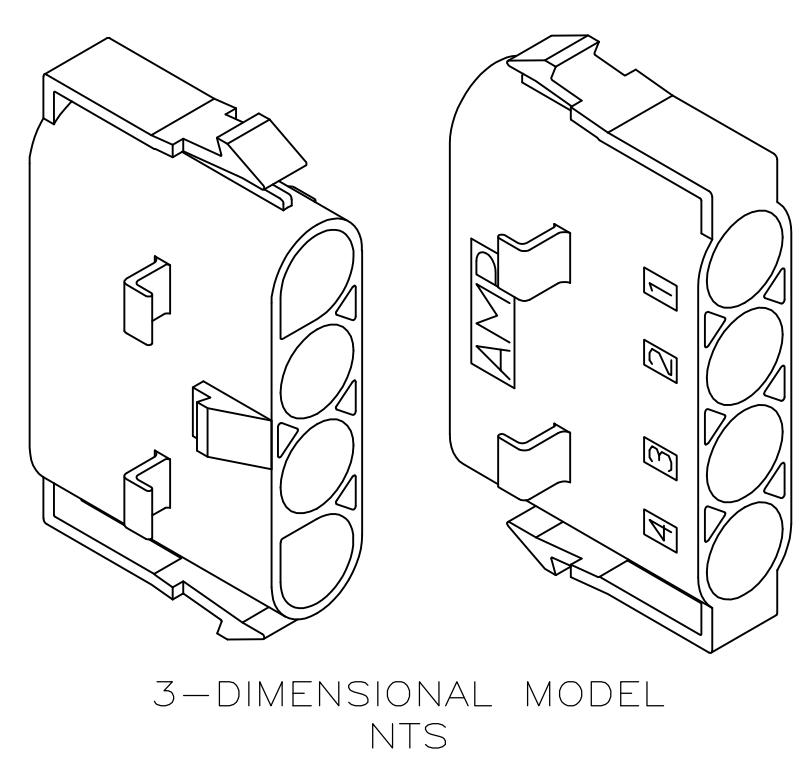
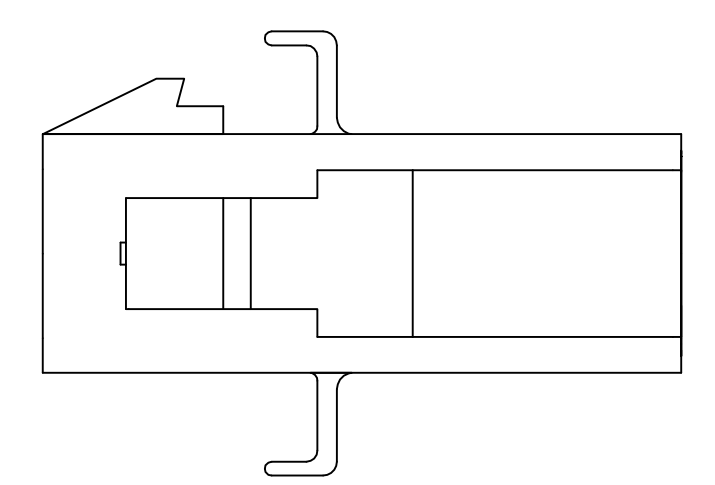


LOC		DIST		REVISIONS			
CM	53	TR	LTR	DESCRIPTION	DATE	DWN	APVD
		C1		REV PER ECR-14-014875	10DEC2015	SC	DZ



1. TO BE USED WITH APPROPRIATE .156 MATE-N-LOK PINS.
  2. PANEL MUST BE PUNCHED SO THAT THE HOUSING ENTERS THE PANEL IN THE SAME DIRECTION AS THE PUNCH.
  3. DIMENSIONS IN BRACKETS ARE IN INCHES.
- ⚠ PRELIMINARY PART NOT RELEASED FOR PRODUCTION.



RECOMMENDED CUT OUT FOR 0.76 [.030] TO 2.29 [.090] THICK PANEL

794118-2  
 794118-1  
 PART NUMBER



THIS DRAWING IS A CONTROLLED DOCUMENT.		DWN	B. LEWIS	4-19-96	AMP Incorporated Harrisburg, PA 17105-3608
DIMENSIONS: INCHES		CHK	R. SWING	4-19-96	
0 PLC ± 1 PLC ± 2 PLC ± 3 PLC ± 4 PLC ± ANGLES 40° 30'		APVD	C. MARTIN	4-30-98	
MATERIAL NYLON UL94V-2		NAME		SIZE	
FINISH		PRODUCT SPEC		CAGE CODE	DRAWING NO
TOLERANCES UNLESS OTHERWISE SPECIFIED:		APPLICATION SPEC		SCALE	
CUSTOMER DRAWING		WEIGHT		A100779	
				C-794118	
				SHEET 1 OF 1	
				REV C1	